



ENZO™ U.S. Order Form

August 2019

Leggero Customer Service: 1-844-503-5437

Email: sales@leggero.us

8am - 5pm central time Monday-Friday



Date: _____ QUOTE ORDER - PO# _____

Account: _____

Contact Name: _____

ATP Name: _____

Billing Address: _____

City: _____ ST: _____ ZIP: _____

Phone: _____ Fax: _____

Email: _____

Ship To: _____

Attention: _____

Address: _____

City: _____ ST: _____ ZIP: _____

Mark For ATP: _____



Model shown with accessories and Stealth Products TFB Seating

MEASUREMENT WORKSHEET	
A. Seat Depth	_____
B. Trunk Depth	_____
C. Trunk Width	_____
D. Hip Width	_____
E. Seat to Top of Shoulder	_____
F. Lower Leg Length	_____
G. Seat to Axilla	_____

ENZO™ includes:

- WC-19 Transit System with Belt
- 45° Posterior Tilt plus 5° Anterior
- Choice of Folding or Rigid Frame
- Choice of Wheel and Caster Sizes
- Choice of Tilt Actuation Mechanism
- Choice of Wheel Lock System
- Adjustable Depth Seat Canes

Specifications & Adjustability*

	Folding & Rigid
Capacity	185 lbs / 84 kg
Seat Depth	11-20" / 28-51 cm
Seat Width	12-18" / 30-46 cm
Seat to Floor	13.5-20" / 34-51 cm
Tilt Angle	-5° to 45°
Hip Angle	90° to 110°

*Please see product literature for additional specifications.

ENZO™ Wheelchair

<input type="checkbox"/>	3101-0201	E1234	ENZO™ Side-Fold	\$3,139.00	OR	<input type="checkbox"/>	3101-0001	E1233	ENZO™ Rigid	\$3,099.00
--------------------------	-----------	-------	------------------------	------------	----	--------------------------	-----------	-------	--------------------	------------

Side-Fold Options

Select width range and setting. Setting will default to minimum if not specified.

<input type="checkbox"/>	3101-0214	Adjustable Side-Fold 12-14 in / 30.5-35.6 cm	n/c
	Set to:	<input type="checkbox"/> 12 in / 30.5 cm <input type="checkbox"/> 13 in / 33.0 cm <input type="checkbox"/> 14 in / 35.6 cm	
<input type="checkbox"/>	3101-0216	Adjustable Side-Fold 14-16 in / 35.6-40.6 cm	n/c
	Set to:	<input type="checkbox"/> 14 in / 35.6 cm <input type="checkbox"/> 15 in / 38.1 cm <input type="checkbox"/> 16 in / 40.6 cm	
<input type="checkbox"/>	3101-0218	Adjustable Side-Fold 16-18 in / 40.6-45.7 cm	n/c
	Set to:	<input type="checkbox"/> 16 in / 40.6 cm <input type="checkbox"/> 17 in / 43.2 cm <input type="checkbox"/> 18 in / 45.7 cm	

Rigid Options

<input type="checkbox"/>	3101-0012	ENZO Rigid 12 in / 30.5 cm	n/c
<input type="checkbox"/>	3101-0013	ENZO Rigid 13 in / 33.0 cm	n/c
<input type="checkbox"/>	3101-0014	ENZO Rigid 14 in / 35.6 cm	n/c
<input type="checkbox"/>	3101-0015	ENZO Rigid 15 in / 38.1 cm	n/c
<input type="checkbox"/>	3101-0016	ENZO Rigid 16 in / 40.6 cm	n/c
<input type="checkbox"/>	3101-0017	ENZO Rigid 17 in / 43.2 cm	n/c
<input type="checkbox"/>	3101-0018	ENZO Rigid 18 in / 45.7 cm	n/c

Decal Options

<input type="checkbox"/>	3101-0106	Voltage Green	n/c	<input type="checkbox"/>	3101-0110	Azure Blue	n/c
<input type="checkbox"/>	3101-0107	Sunset Orange	n/c	<input type="checkbox"/>	3101-0111	Dragon Fruit Red	n/c
<input type="checkbox"/>	3101-0108	Starburst Yellow	n/c	<input type="checkbox"/>	3101-0112	Galaxy Purple	n/c
<input type="checkbox"/>	3101-0109	Magenta Pink	n/c	<input type="checkbox"/>	3101-0199	Omit Decal	n/c

Seat Tilt Range

A range limiting shaft collar will be installed by the factory if 3101-7005 is selected. Otherwise, range limiting shaft collar will be packaged with the user manual.

<input type="checkbox"/>	3101-7012	-5° to 45° (Include, but do not install range limiter)	Standard
<input type="checkbox"/>	3101-7013	0° to 45° (Install range limiter)	n/c

Transit Option

The transit option includes 4 installed anchors & has been tested in compliance with WC-19 standards. Tested with Stealth WC-20 Transit Knob Hardware.

For more information on RESNA WC-19 & WC-20 please visit www.wc-transportation-safety.com.

Transit Option AND Transit Belt or Harness

<input checked="" type="checkbox"/>	Transit Option Included In Base Price (RESNA WC-19)		n/c	<input type="checkbox"/>	3101-7014	K0108	Transit - Sure-Lok Lap Belt (12-14")	n/c
	<i>This option is not retrofittable.</i>			<input type="checkbox"/>	3101-7015	K0108	Transit - Sure-Lok Lap Belt (15-18")	n/c

Back Cane Options

Back Cane Height & Options

Select a back cane height. Height measured from top of seat rails.

<input type="checkbox"/>	3101-4012	Back Cane for up to 18"/46 cm clamp height (Standard for 12-14" Width Chair)	n/c
<input type="checkbox"/>	3101-4014	Back Cane for up to 20"/51 cm clamp height (Standard for 14-16" Width Chair)	n/c
<input type="checkbox"/>	3101-4016	Back Cane for up to 22"/56 cm clamp height (Standard for 16-18" Width Chair)	n/c
<input type="checkbox"/>	3101-4001	Add Non-folding Rigidizer Bar between Back Canes (vertical position adjustable)	\$125.00
<input type="checkbox"/>	3101-4010	Add Flip-Down Rigidizer Bar between Back Canes (vertical position adjustable)	\$194.00

Bolt Adjustable Back Cane Angle

Select preferred factory setting.

<input type="checkbox"/>	3101-4090	90°	Standard
<input type="checkbox"/>	3101-4095	95°	n/c
<input type="checkbox"/>	3101-4100	100°	n/c
<input type="checkbox"/>	3101-4105	105°	n/c
<input type="checkbox"/>	3101-4110	110°	n/c

Push Handle, Tilt Actuation, Drum Brake, and Wheel Lock Options

Options for Side Fold Chairs	Options for Rigid Chairs	Standard 90° Push Handles for Folding	Standard 90° Push Handles for Rigid	Stroller Handle for Rigid	Tilt Option	Push to Lock Wheel Lock ¹	Attendant Hub Lock ²	Dual: Push to Lock and Hub Lock ²	Drum Brake ³ E2228
					3101-2001 Foot Tilt	<input type="checkbox"/> -1 [n/c]			<input type="checkbox"/> -4 [\$1200]
					3101-2002 Hand Tilt	<input type="checkbox"/> -1 [n/c]	<input type="checkbox"/> -2 [n/c]	<input type="checkbox"/> -3 [\$70]	
					3101-2003 Foot Tilt	<input type="checkbox"/> -1 [n/c]	<input type="checkbox"/> -2 [n/c]	<input type="checkbox"/> -3 [\$70]	<input type="checkbox"/> -4 [\$1200]
					3101-2004 Hand Tilt	<input type="checkbox"/> -1 [n/c]	<input type="checkbox"/> -2 [n/c]	<input type="checkbox"/> -3 [\$70]	
					3101-2005 Foot Tilt	<input type="checkbox"/> -1 [n/c]	<input type="checkbox"/> -2 [n/c]	<input type="checkbox"/> -3 [\$70]	
					3101-2006 Hand Tilt	<input type="checkbox"/> -1 [n/c]	<input type="checkbox"/> -2 [n/c]	<input type="checkbox"/> -3 [\$70]	

¹ Not compatible with O2 Holder. ² Requires 12" or 16" hub lock wheels. ³ Requires 16" drum brake wheels.

Caster and Wheel Options

Select one wheel / caster / STF combination from the options below. Then select related options. STF heights are approximate and measured with the seat rails level.

Wheel Size	Caster Size	Seat To Floor Height Options													
		Item number builds from selection: 3101-WWWW-CC-STF where W = Wheel Selection, C = Caster Selection, STF = Seat to Floor Selection													
↓	↓	13.5"/34cm	14"/35cm	14.5"/37cm	15"/38cm	15.5"/39cm	16"/40cm	16.5"/42cm	17"/43cm	17.5"/44cm	18"/46cm	18.5"/47cm	19"/48cm	19.5"/49cm	20"/51cm

↵ 12" or 16" Poly Mag Leggero Smooth Roll Wheels and Casters [n/c]

12"/30cm 3101-2010	5"/13cm -05	13.5"/34cm -135 □ * ‡	14"/35cm -140 □		15"/38cm -150 □ ‡	15.5"/39cm -155 □	16"/40cm -160 □	16.5"/42cm -165 □	17"/43cm -170 □						
	6"/15cm -06				15"/38cm -150 □ ‡	15.5"/39cm -155 □	16"/40cm -160 □	16.5"/42cm -165 □	17"/43cm -170 □						
	7"/18cm -07					15.5"/39cm -155 □ ‡	16"/40cm -160 □	16.5"/42cm -165 □	17"/43cm -170 □						
16"/40cm 3101-2011	5"/13cm -05		14"/35cm -140 □ ‡	14.5"/37cm -145 □ ‡	15"/38cm -150 □ ‡	15.5"/39cm -155 □ ‡	16"/40cm -160 □		17"/43cm -170 □	17.5"/44cm -175 □	18"/46cm -180 □				
	6"/15cm -06				15"/38cm -150 □ ‡	15.5"/39cm -155 □ ‡	16"/40cm -160 □		17"/43cm -170 □	17.5"/44cm -175 □	18"/46cm -180 □	18.5"/47cm -185 □			
	7"/18cm -07					15.5"/39cm -155 □ ‡	16"/40cm -160 □		17"/43cm -170 □	17.5"/44cm -175 □	18"/46cm -180 □	18.5"/47cm -185 □	19"/48cm -190 □		

↵ 12" or 16" Hub Lock (HL) Poly Mag Leggero Smooth Roll Wheels and Casters [n/c]

HL12"/30cm 3101-2012	5"/13cm -05				15"/38cm -150 □ ‡	15.5"/39cm -155 □ ‡	16"/40cm -160 □ ‡	16.5"/42cm -165 □	17"/43cm -170 □						
	6"/15cm -06				15"/38cm -150 □ ‡	15.5"/39cm -155 □ ‡	16"/40cm -160 □ ‡	16.5"/42cm -165 □	17"/43cm -170 □						
	7"/18cm -07					15.5"/39cm -155 □ ‡	16"/40cm -160 □ ‡	16.5"/42cm -165 □	17"/43cm -170 □						
HL16"/40cm 3101-2013	5"/13cm -05								17"/43cm -170 □ ‡	17.5"/44cm -175 □ ‡	18"/46cm -180 □ ‡				
	6"/15cm -06								17"/43cm -170 □ ‡	17.5"/44cm -175 □ ‡	18"/46cm -180 □ ‡	18.5"/47cm -185 □			
	7"/18cm -07								17"/43cm -170 □ ‡	17.5"/44cm -175 □ ‡	18"/46cm -180 □ ‡	18.5"/47cm -185 □	19"/48cm -190 □		

↵ 16" Drum Brake (DB) Compatible Poly Mag Wheels and Leggero Smooth Roll Casters [n/c]

DB16"/40cm 3101-2014	5"/13cm -05		14"/35cm -140 □ ‡	14.5"/37cm -145 □ ‡	15"/38cm -150 □ ‡	15.5"/39cm -155 □ ‡	16"/40cm -160 □		17"/43cm -170 □	17.5"/44cm -175 □	18"/46cm -180 □				
	6"/15cm -06				15"/38cm -150 □ ‡	15.5"/39cm -155 □ ‡	16"/40cm -160 □		17"/43cm -170 □	17.5"/44cm -175 □	18"/46cm -180 □	18.5"/47cm -185 □			
	7"/18cm -07					15.5"/39cm -155 □ ‡	16"/40cm -160 □		17"/43cm -170 □	17.5"/44cm -175 □	18"/46cm -180 □	18.5"/47cm -185 □	19"/48cm -190 □		

↵ 20" Mag Wheels and Leggero Smooth Roll Casters [n/c]

20"/51cm 3101-2015	5"/13cm -05					15.5"/39cm -155 □ ‡	16"/40cm -160 □ ‡	16.5"/42cm -165 □ ‡	17"/43cm -170 □ ‡	17.5"/44cm -175 □					
	6"/15cm -06					15.5"/39cm -155 □ ‡	16"/40cm -160 □ ‡	16.5"/42cm -165 □ ‡	17"/43cm -170 □ ‡	17.5"/44cm -175 □		18.5"/47cm -185 □			
	7"/18cm -07					15.5"/39cm -155 □ ‡	16"/40cm -160 □ ‡	16.5"/42cm -165 □ ‡	17"/43cm -170 □ ‡	17.5"/44cm -175 □		18.5"/47cm -185 □	19"/48cm -190 □	19.5"/49cm -195 □	20"/51cm -200 □

Tire Options for 20" Mag Wheels

<input type="checkbox"/>	3101-2027		20" Poly Tire	n/c
<input type="checkbox"/>	3101-2017	E2213	20" Rubber Tire with Airless Insert	\$90.00

Handrim Options for 20" Mag Wheels

<input type="checkbox"/>	3101-2016	20" Anodized Aluminum Handrim	\$119.00
--------------------------	-----------	-------------------------------	----------

↵ 22" Spoke Wheels with Anodized Aluminum Handrims [+ \$204] and Leggero Smooth Roll Casters

22"/56cm 3101-2018	5"/13cm -05							16.5"/42cm -165 □ ‡	17"/43cm -170 □ ‡	17.5"/44cm -175 □ ‡	18"/46cm -180 □ ‡				
	6"/15cm -06							16.5"/42cm -165 □ ‡	17"/43cm -170 □ ‡	17.5"/44cm -175 □ ‡	18"/46cm -180 □ ‡	18.5"/47cm -185 □			
	7"/18cm -07							16.5"/42cm -165 □ ‡	17"/43cm -170 □ ‡	17.5"/44cm -175 □ ‡	18"/46cm -180 □ ‡	18.5"/47cm -185 □	19.5"/49cm -195 □	20"/51cm -200 □	

Tire Options for 22" Spoke Wheels

<input type="checkbox"/>	3101-2023		22" Poly Tire	n/c
<input type="checkbox"/>	3101-2024		22" Pneumatic Tire	n/c
<input type="checkbox"/>	3101-2019	E2213	22" Airless Insert	+ \$90.00

Handrim Options for 22" Spoke Wheels

<input type="checkbox"/>	3101-2099	Omit Anodized Alum Handrim	n/c
--------------------------	-----------	----------------------------	-----

↵ 24" Spoke Wheels with Anodized Aluminum Handrims [+ \$204] and Leggero Smooth Roll Casters

24"/61cm 3101-2021	5"/13cm -05									17.5"/44cm -175 □ ‡	18"/46cm -180 □ ‡				
	6"/15cm -06									17.5"/44cm -175 □ ‡	18"/46cm -180 □ ‡	18.5"/47cm -185 □ ‡			
	7"/18cm -07									17.5"/44cm -175 □ ‡	18"/46cm -180 □ ‡	18.5"/47cm -185 □ ‡	19"/48cm -190 □ ‡	19.5"/49cm -195 □	

Tire Options for 24" Spoke Wheels

<input type="checkbox"/>	3101-2025		24" Poly Tire	n/c
<input type="checkbox"/>	3101-2026		24" Pneumatic Tire	n/c
<input type="checkbox"/>	3101-2022	E2213	24" Airless Insert	+ \$90.00

Handrim Options for 24" Spoke Wheels

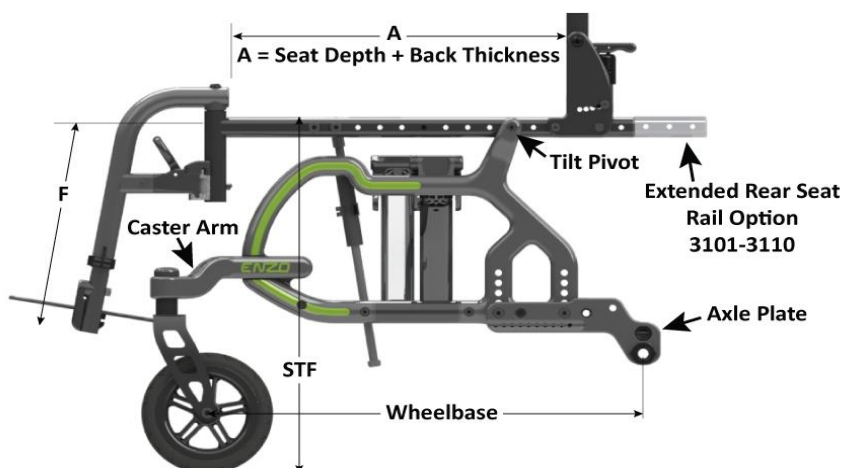
<input type="checkbox"/>	3101-2199	Omit Anodized Alum Handrim	n/c
--------------------------	-----------	----------------------------	-----

* Anterior tilt is not available with 13.5"/34cm STF option

‡ Indicates wheel position is not compatible with the extended rear seat rail option (3101-3110)

Wheelbase Options

<input type="checkbox"/>	3101-2095	Default: Leggero will select optimal position
<input type="checkbox"/>	3101-2091 Default for widths below 14"	1: Minimum (17.5 in / 44 cm) Caster Arm in Back Position Axle Plate in Forward Position
<input type="checkbox"/>	3101-2092	2: Medium Shifted Forward (18.5 in / 47 cm) Caster Arm in Forward Position Axle Plate in Forward Position
<input type="checkbox"/>	3101-2093	3: Medium Shifted Back (18.5 in / 47 cm) Caster Arm in Back Position Axle Plate in Back Position
<input type="checkbox"/>	3101-2094 Default for widths 14"+	4: Maximum (19.5 in / 49 cm) Caster Arm in Forward Position Axle Plate in Back Position



Hanger Mount and Seat Rail Options

Seat Rail Length A, in figure above, is measured to the back cane. Back cushion thickness should be factored into overall seat depth required.

The front surface of the installed back cushion must be within 1" (2.5 cm) of the tilt pivot to maintain a safe center of gravity. Seat rail holes are spaced 1" (2.5 cm) apart.

Using abducted seat rails with short seat depths will cause additional caster interference.

Seat Rail Length A Options (A = Seat Depth + Back Cushion Thickness)

<input type="checkbox"/>	3101-3010	Standard Hanger / Length A Range 13-19"/33-48 cm (Standard for 12-14" Width Chair)	n/c
<input type="checkbox"/>	3101-3020	Standard Hanger / Length A Range 14-20"/36-51 cm (Standard for 14-16" Width Chair)	n/c
<input type="checkbox"/>	3101-3030	Standard Hanger / Length A Range 17-22"/43-56 cm (Standard for 16-18" Width Chair)	n/c
<input type="checkbox"/>	3101-3040	1" Offset Hanger / Length A Range 13-19"/33-48 cm (Option for 12-16" Width Chair)	n/c
<input type="checkbox"/>	3101-3050	1" Offset Hanger / Length A Range 17-22"/43-56 cm (Option for 16-18" Width Chair)	n/c

Extended Rear Seat Rail Option

<input type="checkbox"/>	3101-3110	Long Rear Seat Rails, adds 3" / 8 cm behind pivot to both seat rails.	n/c
--------------------------	-----------	---	-----

Armrests & Positioning Tray

Select an armrest style and pad length. Armrest height is measured from the top of the seat rail to the top of the armpad.

Armrests

<input type="checkbox"/>	3101-6001	E0973	Back Cane Mounted Locking Flip Up Armrests (Height: 7-13"/19-33 cm; height may be increased to 14"/36 cm with longest back canes)	\$265.00
<input type="checkbox"/>	3101-6010	E0973	Back Cane Mounted Non-Locking Flip Up Armrests (Height: 7-13"/19-33 cm; height may be increased to 14"/36 cm with longest back canes)	\$265.00
<input type="checkbox"/>	3101-6002	E0973	Seat Rail Mounted, Single Post Height Adjustable / Removable, Short (Height: 8.5-10.5"/22-27 cm)	\$285.00
<input type="checkbox"/>	3101-6003	E0973	Seat Rail Mounted, Single Post Height Adjustable / Removable, Tall (Height: 10.5-14"/27-36 cm)	\$285.00

Armrest Pad Length (selection required with Armrests)

<input type="checkbox"/>	3101-6004	Desk Length 10"/25 cm	n/c
<input type="checkbox"/>	3101-6005	Full Length 13.5"/34 cm	n/c

Positioning Tray (only if Armrests are selected)

<input type="checkbox"/>	3101-6006	E0950	Clear Positioning Tray Platform (12-14") ¹	\$150.00
<input type="checkbox"/>	3101-6007	E0950	Clear Positioning Tray Platform (14-16") ¹	\$150.00
<input type="checkbox"/>	3101-6008	E0950	Clear Positioning Tray Platform (16-18") ¹	\$150.00
<input type="checkbox"/>	3101-6009	E1028	Tray Hardware, Height Adjustable	\$209.00

¹ Armrests & Tray Hardware are required when ordering Tray Platform

Please continue on next page.

Front Rigging & Foot Plate

Select front rigging type from options **A** or **B**. Then continue your selections to the right to complete the package.

A. Standard Front Rigging

Select rigging style, then select length from table to the right.

<input type="checkbox"/>	3101-5099		Omit Front Rigging and Foot plates	n/c
<input type="checkbox"/>	3101-5002		70° Swing Away Leg Hangers	n/c
<input type="checkbox"/>	3101-5003		80° Swing Away Leg Hangers	n/c
<input type="checkbox"/>	3101-5001		90° Swing Away Leg Hangers	n/c
<input type="checkbox"/>	3101-5005	E0990	Swing Away ELR	\$255.00

Front Rigging Length, Foot Plate, Calf Pad (only if A is selected)

Append the rigging length combination's two digit part number extension to the rigging part number.

Front rigging lengths are measured from top of seat rail to the foot plate. For example, if 20" (51 cm) lower leg length is required, use the long upper, long lower, and a 3" (8 cm) thick seat cushion. Front rigging length must be shorter than selected STF length.

	Short Extension	Standard Extension
Short Upper*	7.5-11.5"/19-29 cm	7.5-13.5"/19-34 cm
	-11 <input type="checkbox"/>	-12 <input type="checkbox"/>
Medium Upper	9-13"/23-33 cm	9-15"/23-38 cm
	-21 <input type="checkbox"/>	-22 <input type="checkbox"/>
Long Upper	n/a	11-17"/28-43 cm
		-32 <input type="checkbox"/>

<input type="checkbox"/>	3101-5199		Omit Foot Plate	n/c
<input type="checkbox"/>	3101-5008	K0040	Flip Up, Height/Angle Adjustable, Alum.	\$185.00
<input type="checkbox"/>	3101-5007	E0951	Heel Loop for Foot Plate	\$40.00
<input type="checkbox"/>	3101-7016	E0995	Calf Pad, Left*	\$40.00
<input type="checkbox"/>	3101-7017	E0995	Calf Pad, Right*	\$40.00

* Calf Pad is not compatible with Short Upper

B. Direct Mount Front Rigging

<input type="checkbox"/>	3101-5004	90° Swing-away Direct Mount Leg Hangers	n/c
<i>For lower leg length of 3-9"/8-23 cm</i>			

Direct Mount Foot Plate (only if B is selected)

<input type="checkbox"/>	3101-5006	K0040	Direct Mount Flip Up, Height/Ang. Adj. Alum.	\$185.00
<input type="checkbox"/>	3101-5007		Heel Loop for Foot Plate	\$40.00

Rear Anti-Tips

Anti-Tip Select is Required

<input type="checkbox"/>	3101-7005	E0971	Curb Assist Flip Up, Adjustable (pair)	\$150.00
<input type="checkbox"/>	3101-7006	E0971	Flip Up, Adjustable (pair)	\$150.00

Curb assist pair includes one standard and one curb assist anti-tip.

Medical Mounting Accessories

Medical Mounting Accessories must be factory installed. Combined weight of accessories & occupant must not exceed chair capacity.

Ventilator, oxygen tank, and any other accessories must be removed and secured off chair during transit in a motor vehicle.

<input type="checkbox"/>	3101-7007	K0105	IV Pole ¹	\$150.00	<input type="checkbox"/>	3101-7010	E1029	Equipment Tray ⁴	\$350.00
<input type="checkbox"/>	3101-7008	E2208	Oxygen Tank Holder (D size) ²	\$175.00	<input type="checkbox"/>	3101-7011	E1029	LTV950 Bracket and Equip. Tray ^{3,4,5}	\$495.00
<input type="checkbox"/>	3101-7009	E1029	LTV Bracket for LTV950 ³	\$250.00					

¹ Not compatible with Flip-Up Armrests

² O2 Holder is not compatible with standard wheel locks. Requires 12 or 16" rear wheels. Requires STF between 17-19" (43-48 cm). Wheelbase will be set to required position.

³ Rigid frame, Rigidizing Bar 3101-4001, and 14" or wider chair is required for LTV950 bracket

⁴ Rigid frame is required for Equipment Tray.

⁵ When Equipment Tray is ordered in combination with Oxygen Tank Holder, a Hub Lock is required.

The **HCPCS CODES** provided are based on code verification through PDAC or our interpretation of the code definitions and are not to be deemed as legal advice. The use of **HCPCS CODES** does not ensure coverage or payment. Appropriate billing codes are the responsibility of DME providers. For coverage information, verify the appropriate payer's coverage policy.