



ENZO™ U.S. Order Form

June 2020

Leggero Customer Service: 1-844-503-5437

Email: Sales@leggero.us

8am - 5pm Central Time Monday-Friday



Date: _____ QUOTE ORDER - PO# _____

Company Name: _____ Ship To: _____

Contact Name: _____ Attention: _____

ATP Name: _____ Address: _____

Billing Address: _____

City: _____ ST: _____ ZIP: _____ City: _____ ST: _____ ZIP: _____

Phone: _____ Fax: _____

Email: _____ **Mark for:** _____



Model shown with accessories and Stealth Seating

Colors shown:
Graphite Grey with Sunset Orange Decal

| MEASUREMENT WORKSHEET | |
|----------------------------|-------|
| A. Seat Depth | _____ |
| B. Trunk Depth | _____ |
| C. Trunk Width | _____ |
| D. Hip Width | _____ |
| E. Seat to Top of Shoulder | _____ |
| F. Lower Leg Length | _____ |
| G. Seat to Axilla | _____ |

ENZO™ includes:

- WC-19 Transit System with Belt
- 45° Posterior Tilt plus 5° Anterior
- Choice of Folding or Rigid Frame
- Choice of Wheel and Caster Sizes
- Choice of Tilt Actuation Mechanism
- Choice of Wheel Lock System
- Adjustable Depth Seat Canes
- Adjustable Height Back Canes
- Sunshade

Packages may vary per customer

Specifications & Adjustability*

| | Folding & Rigid |
|---------------|---------------------|
| Capacity | 185 lbs / 84 kg |
| Seat Depth | 11-20" / 28-51 cm |
| Seat Width | 12-18" / 30-46 cm |
| Seat to Floor | 13.5-20" / 34-51 cm |
| Tilt Angle | -5° to 45° |
| Hip Angle | 90° to 110° |

**Please see product literature for additional specifications.*

ENZO™ Wheelchair

| | | | | | | | | | | |
|--------------------------|-----------|-------|------------------------|------------|----|--------------------------|-----------|-------|--------------------|------------|
| <input type="checkbox"/> | 3101-0201 | E1234 | ENZO™ Side-Fold | \$3,139.00 | OR | <input type="checkbox"/> | 3101-0001 | E1233 | ENZO™ Rigid | \$3,039.00 |
|--------------------------|-----------|-------|------------------------|------------|----|--------------------------|-----------|-------|--------------------|------------|

Side-Fold Options

Select width range and setting. Setting will default to minimum if not specified.

| | | | | |
|--------------------------|-----------|--|--|--|
| <input type="checkbox"/> | 3101-0214 | Adjustable Side-Fold 12-14 in / 30.5-35.6 cm | n/c | |
| Set to: | | <input type="checkbox"/> 12 in / 30.5 cm | <input type="checkbox"/> 13 in / 33.0 cm | <input type="checkbox"/> 14 in / 35.6 cm |
| <input type="checkbox"/> | 3101-0216 | Adjustable Side-Fold 14-16 in / 35.6-40.6 cm | n/c | |
| Set to: | | <input type="checkbox"/> 14 in / 35.6 cm | <input type="checkbox"/> 15 in / 38.1 cm | <input type="checkbox"/> 16 in / 40.6 cm |
| <input type="checkbox"/> | 3101-0218 | Adjustable Side-Fold 16-18 in / 40.6-45.7 cm | n/c | |
| Set to: | | <input type="checkbox"/> 16 in / 40.6 cm | <input type="checkbox"/> 17 in / 43.2 cm | <input type="checkbox"/> 18 in / 45.7 cm |

Rigid Options

| | | | |
|--------------------------|-----------|----------------------------|-----|
| <input type="checkbox"/> | 3101-0012 | ENZO Rigid 12 in / 30.5 cm | n/c |
| <input type="checkbox"/> | 3101-0013 | ENZO Rigid 13 in / 33.0 cm | n/c |
| <input type="checkbox"/> | 3101-0014 | ENZO Rigid 14 in / 35.6 cm | n/c |
| <input type="checkbox"/> | 3101-0015 | ENZO Rigid 15 in / 38.1 cm | n/c |
| <input type="checkbox"/> | 3101-0016 | ENZO Rigid 16 in / 40.6 cm | n/c |
| <input type="checkbox"/> | 3101-0017 | ENZO Rigid 17 in / 43.2 cm | n/c |
| <input type="checkbox"/> | 3101-0018 | ENZO Rigid 18 in / 45.7 cm | n/c |

Decal and Frame Color Options

Decal color options

| | | | | | |
|--------------------------|-------------|------------------|--------------------------|-------------|------------------|
| <input type="checkbox"/> | 3101-0106-D | Voltage Green | <input type="checkbox"/> | 3101-0110-D | Azure Blue |
| <input type="checkbox"/> | 3101-0107-D | Sunset Orange | <input type="checkbox"/> | 3101-0111-D | Dragon Fruit Red |
| <input type="checkbox"/> | 3101-0108-D | Starburst Yellow | <input type="checkbox"/> | 3101-0112-D | Galaxy Purple |
| <input type="checkbox"/> | 3101-0109-D | Magenta Pink | <input type="checkbox"/> | 3101-0113-D | Midnight Black |
| | | | <input type="checkbox"/> | 3101-0199-D | Omit Decal |

Color choice (-F) applies to frame

| | | | | | |
|--------------------------|-------------|------------------|--------------------------|-------------|------------------|
| <input type="checkbox"/> | 3101-0106-F | Voltage Green | <input type="checkbox"/> | 3101-0110-F | Azure Blue |
| <input type="checkbox"/> | 3101-0107-F | Sunset Orange | <input type="checkbox"/> | 3101-0111-F | Dragon Fruit Red |
| <input type="checkbox"/> | 3101-0108-F | Starburst Yellow | <input type="checkbox"/> | 3101-0112-F | Galaxy Purple |
| <input type="checkbox"/> | 3101-0109-F | Magenta Pink | <input type="checkbox"/> | 3101-0113-F | Graphite Grey |

Seat Tilt Range

A range limiting shaft collar will be installed by the factory if 3101-7005 is selected. Otherwise, range limiting shaft collar will be packaged with the user manual.

| | | | |
|--------------------------|-----------|--|----------|
| <input type="checkbox"/> | 3101-7012 | -5° to 45° (Include, but do not install range limiter) | Standard |
| <input type="checkbox"/> | 3101-7013 | 0° to 45° (Install range limiter) | n/c |

Transit Option

The transit option includes 4 installed anchors & has been tested in compliance with WC-19 standards. Tested with Stealth WC-20 Transit Knob Hardware.

For more information on RESNA WC-19 & WC-20 please visit www.wc-transportation-safety.com.

Transit Option AND Transit Belt or Harness

| | | |
|-------------------------------------|---|-----|
| <input checked="" type="checkbox"/> | Transit Option Included In Base Price (RESNA WC-19) | n/c |
|-------------------------------------|---|-----|

This option is not retrofittable.

Transit Belt is Required

| | | | | |
|--------------------------|-----------|-------|--------------------------------------|-----|
| <input type="checkbox"/> | 3101-7014 | K0108 | Transit - Sure-Lok Lap Belt (12-14") | n/c |
| <input type="checkbox"/> | 3101-7015 | K0108 | Transit - Sure-Lok Lap Belt (15-18") | n/c |

Back Cane Options

Back Cane Height & Options

Select a back cane height. Height measured from top of seat rails.

| | | | |
|--------------------------|-----------|--|-----|
| <input type="checkbox"/> | 3101-4012 | Back Cane for up to 18"/46 cm clamp height (Standard for 12-14" Width Chair) | n/c |
| <input type="checkbox"/> | 3101-4014 | Back Cane for up to 20"/51 cm clamp height (Standard for 14-16" Width Chair) | n/c |
| <input type="checkbox"/> | 3101-4016 | Back Cane for up to 22"/56 cm clamp height (Standard for 16-18" Width Chair) | n/c |

Bolt Adjustable Back Cane Angle

Select preferred factory setting.

| | | | |
|--------------------------|-----------|------|----------|
| <input type="checkbox"/> | 3101-4090 | 90° | Standard |
| <input type="checkbox"/> | 3101-4095 | 95° | n/c |
| <input type="checkbox"/> | 3101-4100 | 100° | n/c |
| <input type="checkbox"/> | 3101-4105 | 105° | n/c |
| <input type="checkbox"/> | 3101-4110 | 110° | n/c |

Rigidizer Bar Options

| | | | |
|--------------------------|-----------|---|----------|
| <input type="checkbox"/> | 3101-4001 | Add Non-folding Rigidizer Bar between Back Canes (vertical position adjustable) | \$125.00 |
| <input type="checkbox"/> | 3101-4002 | Add Flip-Down Rigidizer Bar between Back Canes (vertical position adjustable) | \$194.00 |

Push Handle, Tilt Actuation, Drum Brake, and Wheel Lock Options

| Options for | | Tilt Option | Push to Lock Wheel Lock ¹ | Attendant Hub Lock ² | Dual: Push to Lock and Hub Lock ² | Drum Brake ³ E2228 |
|------------------|-------------------------------|-----------------------|--------------------------------------|-----------------------------------|--|--------------------------------------|
| Side Fold Chairs | Split Stroller Handles [\$75] | 3101-2007 Foot Tilt | <input type="checkbox"/> -1 [n/c] | | | |
| | 90° Wheelchair Push Handles | 3101-2001 Foot Tilt | <input type="checkbox"/> -1 [n/c] | | | <input type="checkbox"/> -4 [\$1200] |
| | | 3101-2002 Hand Tilt | <input type="checkbox"/> -1 [n/c] | <input type="checkbox"/> -2 [n/c] | <input type="checkbox"/> -3 [\$70] | |
| Rigid Chairs | 90° Wheelchair Push Handles | 3101-2003 Foot Tilt | <input type="checkbox"/> -1 [n/c] | <input type="checkbox"/> -2 [n/c] | <input type="checkbox"/> -3 [\$70] | <input type="checkbox"/> -4 [\$1200] |
| | | 3101-2004 Hand Tilt | <input type="checkbox"/> -1 [n/c] | <input type="checkbox"/> -2 [n/c] | <input type="checkbox"/> -3 [\$70] | |
| | Stroller Handle | 3101-2005 Foot Tilt | <input type="checkbox"/> -1 [n/c] | <input type="checkbox"/> -2 [n/c] | <input type="checkbox"/> -3 [\$70] | |
| | | 3101-2006 Hand Tilt | <input type="checkbox"/> -1 [n/c] | <input type="checkbox"/> -2 [n/c] | <input type="checkbox"/> -3 [\$70] | |

¹ Not compatible with O2 Holder. ² Requires 12" or 16" hub lock wheels. ³ Requires 16" drum brake wheels.

Caster and Wheel Options

Select one wheel / caster / STF combination from the options below. Then select related options. STF heights are approximate and measured with the seat rails level.

| Wheel Size | Caster Size | Seat To Floor Height Options | | | | | | | | | | | | | |
|------------|-------------|--|----------|------------|----------|------------|----------|------------|----------|------------|----------|------------|----------|------------|----------|
| | | Item number builds from selection: 3101-WWWW-CC-STF where W = Wheel Selection, C = Caster Selection, STF = Seat to Floor Selection | | | | | | | | | | | | | |
| ↓ | ↓ | 13.5"/34cm | 14"/35cm | 14.5"/37cm | 15"/38cm | 15.5"/39cm | 16"/40cm | 16.5"/42cm | 17"/43cm | 17.5"/44cm | 18"/46cm | 18.5"/47cm | 19"/48cm | 19.5"/49cm | 20"/51cm |

↵ 12" or 16" Poly Mag Leggero Smooth Roll Wheels and Casters [n/c]

| | | | | | | | | | | | | | | | |
|-----------------------|----------------|--------------------------|----------------------|------------------------|----------------------|------------------------|--------------------|----------------------|--------------------|----------------------|--------------------|----------------------|--------------------|--|--|
| 12"/30cm 3101-2010 | 5"/13cm -05 | 13.5"/34cm -135 □ * ‡ | 14"/35cm -140 □ | | 15"/38cm -150 □ ‡ | 15.5"/39cm -155 □ | 16"/40cm -160 □ | 16.5"/42cm -165 □ | 17"/43cm -170 □ | | | | | | |
| | 6"/15cm -06 | | | | 15"/38cm -150 □ ‡ | 15.5"/39cm -155 □ | 16"/40cm -160 □ | 16.5"/42cm -165 □ | 17"/43cm -170 □ | | | | | | |
| | 7"/18cm -07 | | | | | 15.5"/39cm -155 □ ‡ | 16"/40cm -160 □ | 16.5"/42cm -165 □ | 17"/43cm -170 □ | | | | | | |
| 16"/40cm 3101-2011 | 5"/13cm -05 | | 14"/35cm -140 □ ‡ | 14.5"/37cm -145 □ ‡ | 15"/38cm -150 □ ‡ | 15.5"/39cm -155 □ ‡ | 16"/40cm -160 □ | | 17"/43cm -170 □ | 17.5"/44cm -175 □ | 18"/46cm -180 □ | | | | |
| | 6"/15cm -06 | | | | 15"/38cm -150 □ ‡ | 15.5"/39cm -155 □ ‡ | 16"/40cm -160 □ | | 17"/43cm -170 □ | 17.5"/44cm -175 □ | 18"/46cm -180 □ | 18.5"/47cm -185 □ | | | |
| | 7"/18cm -07 | | | | | 15.5"/39cm -155 □ ‡ | 16"/40cm -160 □ | | 17"/43cm -170 □ | 17.5"/44cm -175 □ | 18"/46cm -180 □ | 18.5"/47cm -185 □ | 19"/48cm -190 □ | | |

↵ 12" or 16" Hub Lock (HL) Poly Mag Leggero Smooth Roll Wheels and Casters [n/c]

| | | | | | | | | | | | | | | | |
|-------------------------|----------------|--|--|--|----------------------|------------------------|----------------------|----------------------|----------------------|------------------------|----------------------|----------------------|--------------------|--|--|
| HL12"/30cm 3101-2012 | 5"/13cm -05 | | | | 15"/38cm -150 □ ‡ | 15.5"/39cm -155 □ ‡ | 16"/40cm -160 □ ‡ | 16.5"/42cm -165 □ | 17"/43cm -170 □ | | | | | | |
| | 6"/15cm -06 | | | | 15"/38cm -150 □ ‡ | 15.5"/39cm -155 □ ‡ | 16"/40cm -160 □ ‡ | 16.5"/42cm -165 □ | 17"/43cm -170 □ | | | | | | |
| | 7"/18cm -07 | | | | | 15.5"/39cm -155 □ ‡ | 16"/40cm -160 □ ‡ | 16.5"/42cm -165 □ | 17"/43cm -170 □ | | | | | | |
| HL16"/40cm 3101-2013 | 5"/13cm -05 | | | | | | | | 17"/43cm -170 □ ‡ | 17.5"/44cm -175 □ ‡ | 18"/46cm -180 □ ‡ | | | | |
| | 6"/15cm -06 | | | | | | | | 17"/43cm -170 □ ‡ | 17.5"/44cm -175 □ ‡ | 18"/46cm -180 □ ‡ | 18.5"/47cm -185 □ | | | |
| | 7"/18cm -07 | | | | | | | | 17"/43cm -170 □ ‡ | 17.5"/44cm -175 □ ‡ | 18"/46cm -180 □ ‡ | 18.5"/47cm -185 □ | 19"/48cm -190 □ | | |

↵ 16" Drum Brake (DB) Compatible Poly Mag Wheels and Leggero Smooth Roll Casters [n/c]

| | | | | | | | | | | | | | | | |
|-------------------------|----------------|--|----------------------|------------------------|----------------------|------------------------|--------------------|--|--------------------|----------------------|--------------------|----------------------|--------------------|--|--|
| DB16"/40cm 3101-2014 | 5"/13cm -05 | | 14"/35cm -140 □ ‡ | 14.5"/37cm -145 □ ‡ | 15"/38cm -150 □ ‡ | 15.5"/39cm -155 □ ‡ | 16"/40cm -160 □ | | 17"/43cm -170 □ | 17.5"/44cm -175 □ | 18"/46cm -180 □ | | | | |
| | 6"/15cm -06 | | | | 15"/38cm -150 □ ‡ | 15.5"/39cm -155 □ ‡ | 16"/40cm -160 □ | | 17"/43cm -170 □ | 17.5"/44cm -175 □ | 18"/46cm -180 □ | 18.5"/47cm -185 □ | | | |
| | 7"/18cm -07 | | | | | 15.5"/39cm -155 □ ‡ | 16"/40cm -160 □ | | 17"/43cm -170 □ | 17.5"/44cm -175 □ | 18"/46cm -180 □ | 18.5"/47cm -185 □ | 19"/48cm -190 □ | | |

↵ 20" Mag Wheels and Leggero Smooth Roll Casters [n/c]

| | | | | | | | | | | | | | | | |
|-----------------------|----------------|--|--|--|--|------------------------|----------------------|------------------------|----------------------|----------------------|--|----------------------|--------------------|----------------------|--------------------|
| 20"/51cm 3101-2015 | 5"/13cm -05 | | | | | 15.5"/39cm -155 □ ‡ | 16"/40cm -160 □ ‡ | 16.5"/42cm -165 □ ‡ | 17"/43cm -170 □ ‡ | 17.5"/44cm -175 □ | | | | | |
| | 6"/15cm -06 | | | | | 15.5"/39cm -155 □ ‡ | 16"/40cm -160 □ ‡ | 16.5"/42cm -165 □ ‡ | 17"/43cm -170 □ ‡ | 17.5"/44cm -175 □ | | 18.5"/47cm -185 □ | | | |
| | 7"/18cm -07 | | | | | 15.5"/39cm -155 □ ‡ | 16"/40cm -160 □ ‡ | 16.5"/42cm -165 □ ‡ | 17"/43cm -170 □ ‡ | 17.5"/44cm -175 □ | | 18.5"/47cm -185 □ | 19"/48cm -190 □ | 19.5"/49cm -195 □ | 20"/51cm -200 □ |

Tire Options for 20" Mag Wheels

| | | | | |
|--------------------------|-----------|-------|-------------------------------------|---------|
| <input type="checkbox"/> | 3101-2027 | | 20" Poly Tire | n/c |
| <input type="checkbox"/> | 3101-2017 | E2213 | 20" Rubber Tire with Airless Insert | \$90.00 |

Handrim Options for 20" Mag Wheels

| | | | |
|--------------------------|-----------|-------------------------------|----------|
| <input type="checkbox"/> | 3101-2016 | 20" Anodized Aluminum Handrim | \$119.00 |
|--------------------------|-----------|-------------------------------|----------|

↵ 22" Spoke Wheels with Anodized Aluminum Handrims [+ \$204] and Leggero Smooth Roll Casters

| | | | | | | | | | | | | | | | |
|-----------------------|----------------|--|--|--|--|--|--|------------------------|----------------------|------------------------|----------------------|----------------------|----------------------|--------------------|--|
| 22"/56cm 3101-2018 | 5"/13cm -05 | | | | | | | 16.5"/42cm -165 □ ‡ | 17"/43cm -170 □ ‡ | 17.5"/44cm -175 □ ‡ | 18"/46cm -180 □ ‡ | | | | |
| | 6"/15cm -06 | | | | | | | 16.5"/42cm -165 □ ‡ | 17"/43cm -170 □ ‡ | 17.5"/44cm -175 □ ‡ | 18"/46cm -180 □ ‡ | 18.5"/47cm -185 □ | | | |
| | 7"/18cm -07 | | | | | | | 16.5"/42cm -165 □ ‡ | 17"/43cm -170 □ ‡ | 17.5"/44cm -175 □ ‡ | 18"/46cm -180 □ ‡ | 18.5"/47cm -185 □ | 19.5"/49cm -195 □ | 20"/51cm -200 □ | |

Tire Options for 22" Spoke Wheels

| | | | | |
|--------------------------|-----------|-------|--------------------|-----------|
| <input type="checkbox"/> | 3101-2023 | | 22" Poly Tire | n/c |
| <input type="checkbox"/> | 3101-2024 | | 22" Pneumatic Tire | n/c |
| <input type="checkbox"/> | 3101-2019 | E2213 | 22" Airless Insert | + \$90.00 |

Handrim Options for 22" Spoke Wheels

| | | | |
|--------------------------|-----------|----------------------------|-----|
| <input type="checkbox"/> | 3101-2099 | Omit Anodized Alum Handrim | n/c |
|--------------------------|-----------|----------------------------|-----|

↵ 24" Spoke Wheels with Anodized Aluminum Handrims [+ \$204] and Leggero Smooth Roll Casters

| | | | | | | | | | | | | | | | |
|-----------------------|----------------|--|--|--|--|--|--|--|--|------------------------|----------------------|------------------------|----------------------|----------------------|--|
| 24"/61cm 3101-2021 | 5"/13cm -05 | | | | | | | | | 17.5"/44cm -175 □ ‡ | 18"/46cm -180 □ ‡ | | | | |
| | 6"/15cm -06 | | | | | | | | | 17.5"/44cm -175 □ ‡ | 18"/46cm -180 □ ‡ | 18.5"/47cm -185 □ ‡ | | | |
| | 7"/18cm -07 | | | | | | | | | 17.5"/44cm -175 □ ‡ | 18"/46cm -180 □ ‡ | 18.5"/47cm -185 □ ‡ | 19"/48cm -190 □ ‡ | 19.5"/49cm -195 □ | |

Tire Options for 24" Spoke Wheels

| | | | | |
|--------------------------|-----------|-------|--------------------|-----------|
| <input type="checkbox"/> | 3101-2025 | | 24" Poly Tire | n/c |
| <input type="checkbox"/> | 3101-2026 | | 24" Pneumatic Tire | n/c |
| <input type="checkbox"/> | 3101-2022 | E2213 | 24" Airless Insert | + \$90.00 |

Handrim Options for 24" Spoke Wheels

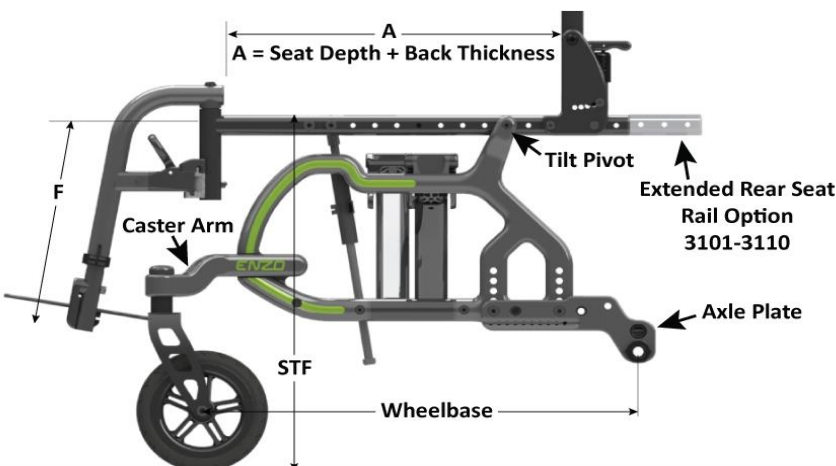
| | | | |
|--------------------------|-----------|----------------------------|-----|
| <input type="checkbox"/> | 3101-2199 | Omit Anodized Alum Handrim | n/c |
|--------------------------|-----------|----------------------------|-----|

* Anterior tilt is not available with 13.5"/34cm STF option

‡ Indicates wheel position is not compatible with the extended rear seat rail option (3101-3110)

Wheelbase Options

| | | |
|--------------------------|---|---|
| <input type="checkbox"/> | 3101-2095 | Default: Leggero will select optimal position |
| <input type="checkbox"/> | 3101-2091 Default for widths below 14" | 1: Minimum (17.5 in / 44 cm) Caster Arm in Back Position Axle Plate in Forward Position |
| <input type="checkbox"/> | 3101-2092 | 2: Medium Shifted Forward (18.5 in / 47 cm) Caster Arm in Forward Position Axle Plate in Forward Position |
| <input type="checkbox"/> | 3101-2093 | 3: Medium Shifted Back (18.5 in / 47 cm) Caster Arm in Back Position Axle Plate in Back Position |
| <input type="checkbox"/> | 3101-2094 Default for widths 14"+ | 4: Maximum (19.5 in / 49 cm) Caster Arm in Forward Position Axle Plate in Back Position |



Hanger Mount and Seat Rail Options

Seat Rail Length A, in figure above, is measured to the back cane. Back cushion thickness should be factored into overall seat depth required.

The front surface of the installed back cushion must be within 1" (2.5 cm) of the tilt pivot to maintain a safe center of gravity. Seat rail holes are spaced 1" (2.5 cm) apart.

Using abducted seat rails with short seat depths will cause additional caster interference.

Seat Rail Length A Options (A = Seat Depth + Back Cushion Thickness)

| | | | |
|--------------------------|-----------|--|-----|
| <input type="checkbox"/> | 3101-3010 | Standard Hanger / Length A Range 13-19"/33-48 cm (Standard for 12-14" Width Chair) | n/c |
| <input type="checkbox"/> | 3101-3020 | Standard Hanger / Length A Range 14-20"/36-51 cm (Standard for 14-16" Width Chair) | n/c |
| <input type="checkbox"/> | 3101-3030 | Standard Hanger / Length A Range 17-22"/43-56 cm (Standard for 16-18" Width Chair) | n/c |
| <input type="checkbox"/> | 3101-3040 | 1" Offset Hanger / Length A Range 13-19"/33-48 cm (Option for 12-16" Width Chair) | n/c |
| <input type="checkbox"/> | 3101-3050 | 1" Offset Hanger / Length A Range 17-22"/43-56 cm (Option for 16-18" Width Chair) | n/c |

Extended Rear Seat Rail Option

| | | | |
|--------------------------|-----------|---|-----|
| <input type="checkbox"/> | 3101-3110 | Long Rear Seat Rails, adds 3" / 8 cm behind pivot to both seat rails. | n/c |
|--------------------------|-----------|---|-----|

Armrests & Positioning Tray

Select an armrest style and pad length. Armrest height is measured from the top of the seat rail to the top of the armpad.

Armrests

| | | | | |
|--------------------------|-----------|-------|---|----------|
| <input type="checkbox"/> | 3101-6001 | E0973 | Back Cane Mounted Locking Flip Up Armrests (Height: 7-13"/19-33 cm; height may be increased to 14"/36 cm with longest back canes) | \$265.00 |
| <input type="checkbox"/> | 3101-6010 | E0973 | Back Cane Mounted Non-Locking Flip Up Armrests (Height: 7-13"/19-33 cm; height may be increased to 14"/36 cm with longest back canes) | \$265.00 |
| <input type="checkbox"/> | 3101-6002 | E0973 | Seat Rail Mounted, Single Post Height Adjustable / Removable, Short (Height: 8.5-10.5"/22-27 cm) | \$285.00 |
| <input type="checkbox"/> | 3101-6003 | E0973 | Seat Rail Mounted, Single Post Height Adjustable / Removable, Tall (Height: 10.5-14"/27-36 cm) | \$285.00 |

Armrest Pad Length (selection required with Armrests)

| | | | |
|--------------------------|-----------|---|-----|
| <input type="checkbox"/> | 3101-6004 | Desk Length 10"/25 cm Seat Rail Mounted | n/c |
| <input type="checkbox"/> | 3101-6005 | Full Length 13.5"/34 Back Cane Mounted | n/c |

Positioning Tray (only if Armrests are selected)

| | | | | |
|--------------------------|-----------|-------|---|----------|
| <input type="checkbox"/> | 3101-6006 | E0950 | Clear Positioning Tray Platform (12-14") ¹ | \$150.00 |
| <input type="checkbox"/> | 3101-6007 | E0950 | Clear Positioning Tray Platform (14-16") ¹ | \$150.00 |
| <input type="checkbox"/> | 3101-6008 | E0950 | Clear Positioning Tray Platform (16-18") ¹ | \$150.00 |
| <input type="checkbox"/> | 3101-6009 | E1028 | Tray Hardware, Height Adjustable | \$209.00 |

¹ Armrests & Tray Hardware are required when ordering Tray Platform

Front Rigging & Foot Plate

Select front rigging type from options **A** or **B**. Then continue your selections to the right to complete the package.

A. Standard Front Rigging

Select rigging style, then select length from table to the right.

| | | | | |
|--------------------------|-----------|-------|------------------------------------|----------|
| <input type="checkbox"/> | 3101-5099 | | Omit Front Rigging and Foot plates | n/c |
| <input type="checkbox"/> | 3101-5002 | | 70° Swing Away Leg Hangers | n/c |
| <input type="checkbox"/> | 3101-5003 | | 80° Swing Away Leg Hangers | n/c |
| <input type="checkbox"/> | 3101-5001 | | 90° Swing Away Leg Hangers | n/c |
| <input type="checkbox"/> | 3101-5005 | E0990 | Swing Away ELR | \$255.00 |

Front Rigging Length, Foot Plate, Calf Pad (only if A is selected)

Append the rigging length combination's two digit part number extension to the rigging part number.

Front rigging lengths are measured from top of seat rail to the foot plate. For example, if 20" (51 cm) lower leg length is required, use the long upper, long lower, and a 3" (8 cm) thick seat cushion. Front rigging length must be shorter than selected STF length.

| | Short Extension | Standard Extension |
|--------------|--|--|
| Short Upper* | 7.5-11.5"/19-29 cm -11 <input type="checkbox"/> | 7.5-13.5"/19-34 cm -12 <input type="checkbox"/> |
| Medium Upper | 9-13"/23-33 cm -21 <input type="checkbox"/> | 9-15"/23-38 cm -22 <input type="checkbox"/> |
| Long Upper | n/a | 11-17"/28-43 cm -32 <input type="checkbox"/> |

| | | | | |
|--------------------------|-----------|-------|---|----------|
| <input type="checkbox"/> | 3101-5199 | | Omit Foot Plate | n/c |
| <input type="checkbox"/> | 3101-5008 | K0040 | Flip Up, Height/Angle Adjustable, Alum. | \$185.00 |
| <input type="checkbox"/> | 3101-5007 | E0951 | Heel Loop for Foot Plate | \$40.00 |
| <input type="checkbox"/> | 3101-7016 | E0995 | Calf Pad, Left* | \$40.00 |
| <input type="checkbox"/> | 3101-7017 | E0995 | Calf Pad, Right* | \$40.00 |

* Calf Pad is not compatible with Short Upper

B. Direct Mount Front Rigging

| | | | |
|---|-----------|---|-----|
| <input type="checkbox"/> | 3101-5004 | 90° Swing-away Direct Mount Leg Hangers | n/c |
| <i>For lower leg length of 3-9"/8-23 cm</i> | | | |

Direct Mount Foot Plate (only if B is selected)

| | | | | |
|--------------------------|-----------|-------|--|----------|
| <input type="checkbox"/> | 3101-5006 | K0040 | Direct Mount Flip Up, Height/Ang. Adj. Alum. | \$185.00 |
| <input type="checkbox"/> | 3101-5007 | | Heel Loop for Foot Plate | \$40.00 |

Enzo Seat Pan Options

Removable Seat Pans

Width and Depth Adjustable

| | | | | |
|--------------------------|-------------|-------|--|----------|
| <input type="checkbox"/> | 3101-ESSP12 | E2231 | Enzo Solid Seat Pan Width 12"-13", Depth 12"-18" | \$290.00 |
| <input type="checkbox"/> | 3101-ESSP14 | E2231 | Enzo Solid Seat Pan Width 14"-15", Depth 13"-19" | \$290.00 |
| <input type="checkbox"/> | 3101-ESSP16 | E2231 | Enzo Solid Seat Pan Width 16"-17", Depth 15"-22" | \$290.00 |
| <input type="checkbox"/> | 3101-ESSP17 | E2231 | Enzo Solid Seat Pan Width 17"-18", Depth 15"-22" | \$290.00 |

*Leggero Removable Hardware is required with the Enzo Removable Seat Pan

Leggero Removable Hardware

| | | | | |
|--------------------------|------------|-------|-----------------------------|----------|
| <input type="checkbox"/> | 3101-ERSPH | K0108 | Removable Seat Pan Hardware | \$198.00 |
|--------------------------|------------|-------|-----------------------------|----------|

Fixed Solid Seat Pan

| | | | | |
|--------------------------|---------------|-------|---------------------------|----------|
| <input type="checkbox"/> | 3101-EFSP1214 | E2231 | Enzo Fixed Seat Pan 12x14 | \$200.00 |
| <input type="checkbox"/> | 3101-EFSP1416 | E2231 | Enzo Fixed Seat Pan 14x16 | \$200.00 |
| <input type="checkbox"/> | 3101-EFSP1616 | E2231 | Enzo Fixed Seat Pan 16x16 | \$200.00 |
| <input type="checkbox"/> | 3101-EFSP1718 | E2231 | Enzo Fixed Seat Pan 17x18 | \$200.00 |
| <input type="checkbox"/> | 3101-EFSP1818 | E2231 | Enzo Fixed Seat Pan 18x18 | \$200.00 |

*Not Compatible with Side Fold Frames

Pelvic Positioning Options

SP™ Pelvic Positioning Belts

| | | | | |
|--------------------------|----------|-------|-------------------------------|----------|
| <input type="checkbox"/> | IFPB5141 | E0978 | 4-Point, Push Button 1", XS | \$130.00 |
| <input type="checkbox"/> | IFPB5242 | E0978 | 4-Point, Push Button 1.5", SM | \$130.00 |
| <input type="checkbox"/> | IFPB5243 | E0978 | 4-Point, Push Button 1.5", M | \$130.00 |
| <input type="checkbox"/> | IFPB5111 | E0978 | 2-Point, Push Button 1", XS | \$86.00 |
| <input type="checkbox"/> | IFPB5112 | E0978 | 2-Point, Push Button 1", SM | \$86.00 |

Rear Anti-Tips

Anti-Tip Selection is Required

| | | | | |
|--------------------------|-----------|-------|--|----------|
| <input type="checkbox"/> | 3101-7005 | E0971 | Curb Assist Flip Up, Adjustable (pair) | \$150.00 |
| <input type="checkbox"/> | 3101-7006 | E0971 | Flip Up, Adjustable (pair) | \$150.00 |

Curb assist pair includes one standard and one curb assist anti-tip.

Medical Mounting Accessories

Medical Mounting Accessories must be factory installed. Combined weight of accessories & occupant must not exceed chair capacity.

Ventilator, oxygen tank, and any other accessories must be removed and secured off chair during transit in a motor vehicle.

| | | | | | | | | | |
|--------------------------|-----------|-------|-----------------------------|----------|--------------------------|-----------|-------|--------------------------------|----------|
| <input type="checkbox"/> | 3101-7007 | K0105 | IV Pole | \$150.00 | <input type="checkbox"/> | 3101-7010 | E1029 | Equipment Tray | \$350.00 |
| <input type="checkbox"/> | 3101-7008 | E2208 | Oxygen Tank Holder (D size) | \$175.00 | <input type="checkbox"/> | 3101-7011 | E1029 | LTV950 Bracket and Equip. Tray | \$495.00 |
| <input type="checkbox"/> | 3101-7009 | E1029 | LTV Bracket for LTV950 | \$250.00 | | | | | |

O2 Holder is not compatible with standard wheel locks. Requires 12 or 16" rear wheels. Requires STF between 17-19" (43-48 cm). Wheelbase will be set to required position.

Rigid frame, Rigidizing Bar 3101-4001, and 14" or wider chair is required for LTV950 bracket

Rigid frame is required for Equipment Tray.

When Equipment Tray is ordered in combination with Oxygen Tank Holder, a Hub Lock is required.

**** FOR A SINGLE INVOICE THAT INCLUDES STEALTH SEATING, ATTACH COMPLETED ORDER FORM****

www.Stealthproducts.com



*The **HCPCS CODES** provided are based on code verification through PDAC or our interpretation of the code definitions and are not to be deemed as legal advice. The use of **HCPCS CODES** does not ensure coverage or payment. Appropriate billing codes are the responsibility of DME providers. For coverage information, verify the appropriate payer's coverage policy.*